

8 | 7 | 6 | 5 | 4 | 3 | 2 | 1

PROPRIETARY NOTICE: This document contains proprietary information of AAT Inc. neither the document nor said proprietary information shall be published, reproduced, copied, disclosed or used for any purpose other than consideration of this document without the express written permission of a duly authorized representative of said Company.

REVISIONS			
SYM	DESCRIPTION	DATE	APPROVED
A	PRODUCTION RELEASE	08/28/06	

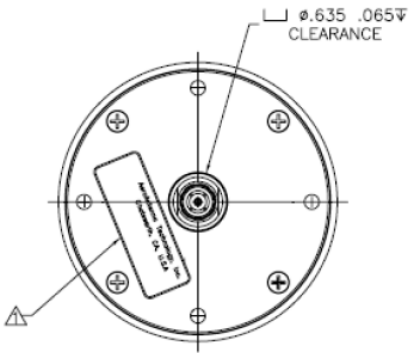
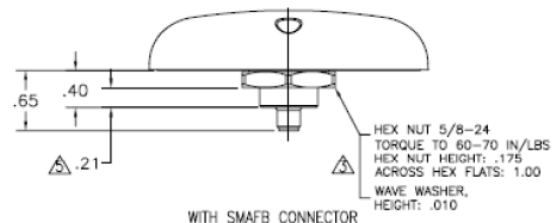
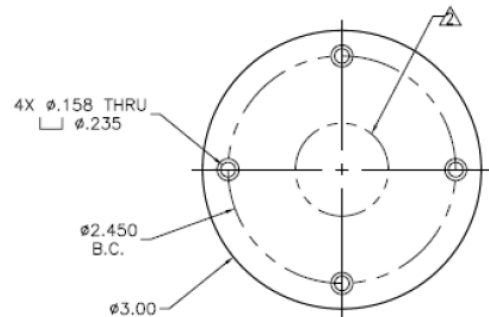
- NOTES: UNLESS OTHERWISE SPECIFIED.
- ▲ AEROANTENNA LABEL
 - ▲ HOT STAMPED CUSTOMER LOGO IS OPTIONAL
 - ▲ ITEMS SUPPLIED BY AEROANTENNA
 - ▲ RECOMMENDED PANEL MOUNTING THICKNESS .150 MAX.
 - ▲ RECOMMENDED PANEL MOUNTING THICKNESS .050 MAX.
 - 6. TOLERANCES: .xx = ±.03
.xxx = ±.010

SPECIFICATION:

FREQUENCY: 1575 ±5 MHz
 POLARIZATION: RIGHT HAND CIRCULAR
 AXIAL RATIO: 3 dB MAX
 RADIATION COVERAGE: 4.0 dBic 0° = 0°
 -1.0 dBic 0° < θ < 75°
 -2.5 dBic 75° ≤ θ < 80°
 -4.5 dBic 80° ≤ θ < 85°
 -7.5 dBic θ = 90°

AMPLIFIER:
 GAIN: SPECIFY
 NOISE FIGURE: 2.5 dB MAX
 IMPEDANCE: 50 OHMS
 VSWR: ≤2.0:1
 BAND REJECTION: 35 dB
 POWER HANDLING: 1 WATT
 FINISH: WEATHERABLE POLYMER,
 MATT TEXTURE

CONNECTOR: SPECIFY
 WEIGHT: 4 OZ
 ALTITUDE: 20,000'
 OPERATING TEMP: -40°C TO +70°C
 DESIGNED TO: D0-160C



DO NOT SCALE THIS DRAWING	DRAWN I. SIROTIN 08/25/06
ALL DIMENSIONS ARE IN INCHES DIMENSIONING & TOLERANCING PER ASME Y14.5M-1994	CHECKED V. GRINEVICH 08/29/06
TOLERANCES: .XX = ±.01 .XXX = ±.005 FRACT = ±1/32 ANG. = ±1/2°	ENGR I. SIROTIN 08/29/06
✓ SURFACE ROUGHNESS MACHINED PARTS V32 MOLDED PARTS V32	MFG D. LEVY 09/06/06
REMOVE BURRS AND BREAK SHARP EDGES PART TO BE CLEAN AND OIL FREE	Q.A. B. RUBENI 09/06/06
NEXT ASSY	APPROVED
UNLESS OTHERWISE SPECIFIED	DRAWN IN CAD

AeroAntenna Technology Inc

GPS Patch Ant - White

TITLE

SIZE B DRAW RST701 REV A

SCALE NONE SHEET 1 OF 1